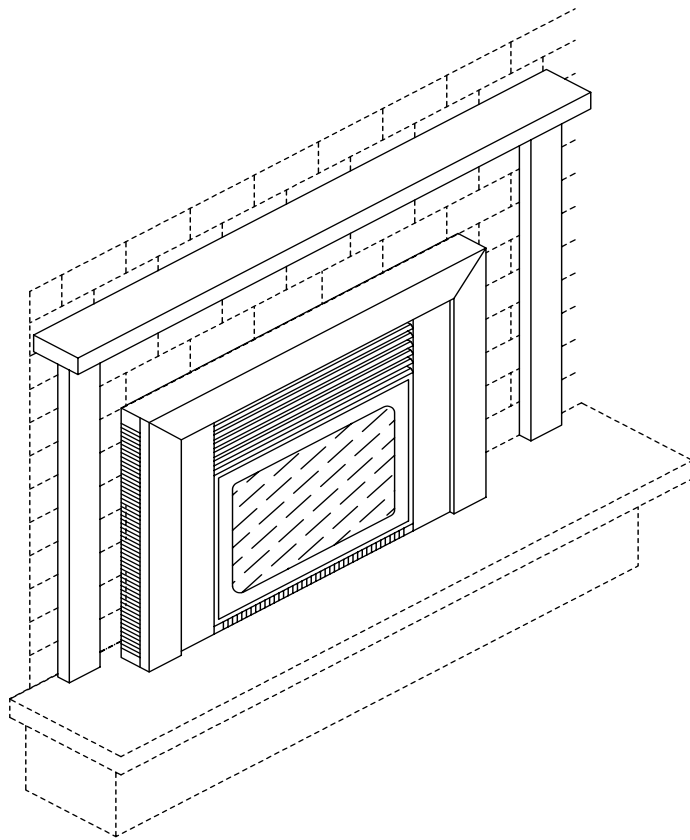


FIREPLACE INSERT, MODEL «VOLCANO »

Tested and certified to U.L.C S628 standards
by Warnock-Hersey, Professional Services

OWNER` S MANUAL - INSTALLATION - OPERATION



Manufactured by:
SUPREME FIREPLACES inc.
3594 Jarry East
Montreal, Qc., H1Z 2G5
Tel: (514) 593-4722 Fax: (514) 593-4424

SUPREME LIFE TIME LIMITED WARRANTY

SUPREME FIREPLACES INC. warrants its VOLCANO model, fireplace insert against manufacturing defects, subject to the following conditions:

1. During the first two years of the Limited Warranty, SUPREME FIREPLACES INC. will provide replacement parts at no charge, except Glass and will also pay for reasonable labor costs for repair work.
2. During the third through the fifth year of the Limited Warranty, SUPREME FIREPLACES INC. will provide replacement parts at no charge, except Glass, Electric components and Painted or Plated parts. SUPREME FIREPLACES INC. shall not be responsible for any labor costs associated with such replacement
3. During the sixth year through the balance of the Limited Warranty, SUPREME FIREPLACES INC. will provide replacement parts (if available) at 50% of the retail price, except for parts mentioned above. SUPREME FIREPLACES INC. shall not be responsible for any labor costs associated with such replacement.

All parts or portions thereof requiring repair or replacement under this warranty must be returned to the factory along with proof of installation. All returns must be authorized by the manufacturer.

This warranty is conditional upon correct installation and intended use of our products and does not cover damages caused by misuse of the products.

SPACE HEATER, MODEL "VOLCANO "

IMPORTANT

Read all instructions carefully before installing and operating your fireplace insert.

Always remember that improper installation or use can be hazardous.

Any modification to any part of the fireplace insert could cause serious damage to the fireplace insert, alter its efficiency, and most likely it is unsafe for the user.

CAUTIONS:

1. Never burn garbage, gasoline, gasoline-type lantern fuel, kerosene, charcoal, lighter fluid, or similar liquids to start or «freshen-up» the fire.
2. Never over-fire your fireplace insert. Overfiring may result in a chimney fire if there is excessive creosote accumulation. You may though burn a hot fire for about one hour every time you add wood. This will reduce the creosote accumulation in your chimney.
3. Hard wood burns longer and creates less creosote. On the contrary, green wood is harder to ignite, gives less heat and builds creosote in your chimney.
4. Keep your fireplace insert door closed except when you are adding wood. Operating your fireplace insert with the door open will result in a very hot uncontrolled fire, which may be hazardous to your property.
5. Do not store fuel or combustible material within the minimum clearances.
6. Never touch the metal surface or the glass when the fireplace insert is burning.
7. Worn parts should always be replaced by original parts supplied by the manufacturer.
8. The flue pipe and the chimney should be inspected periodically and cleaned if necessary.

MINIMUM CLEARANCES TO COMBUSTIBLES

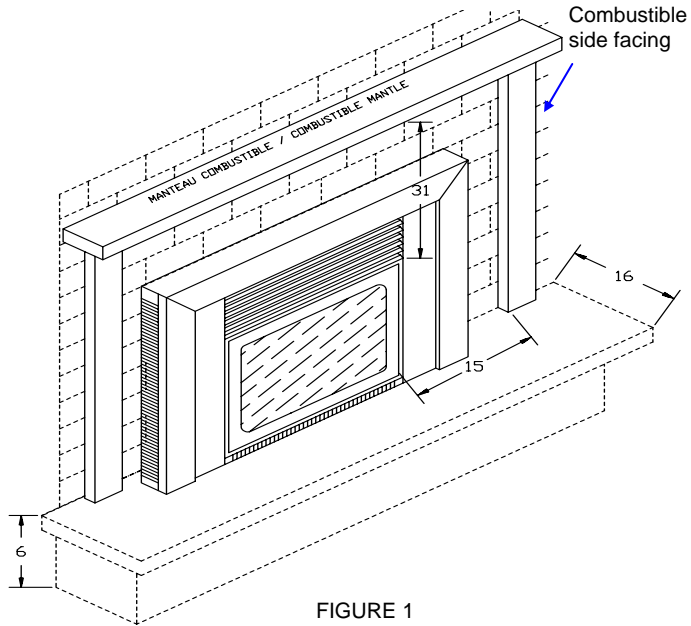


FIGURE 1
Minimum distance to combustibles

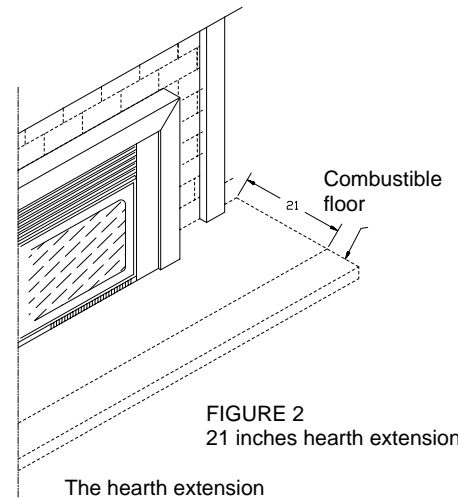


FIGURE 2
21 inches hearth extension

The hearth extension must be 21 inches as shown in FIGURE 2 when the elevation is less than 6 inches.

FIREPLACE INSERT INSTALLATION

General Notes:

Read these instructions carefully before commencing the installation.

Failure to do so may result in damage of personal property.

Be sure that the fireplace and chimney are clean and in good condition. Seal all cracks if any.

Eliminate existing damper from the fireplace.

If there is an accumulation of creosote in the chimney or flue, it must be thoroughly cleaned.

When installing, operating and maintaining a solid fuel heater, respect basic standards of fire safety

The insert is intended only for masonry fireplaces constructed in accordance with the standard for fireplaces, chimneys, vents and solid fuel burning appliances NFPA 211 and all National and Local Building codes standards.

VERIFICATION

Minimum size of the fireplace must be:

Depth 18 in
 Width 24 in
 Height 23 in

PIECES REQUIRED

- 1 Firebox
- 2 Flue pipe \ draft control
- 3 Flange plate
- 4 Side support
- 5 Rear support
- 6 Flexible pipe

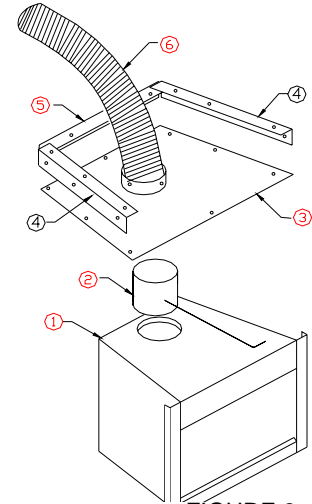


FIGURE 3
Installation

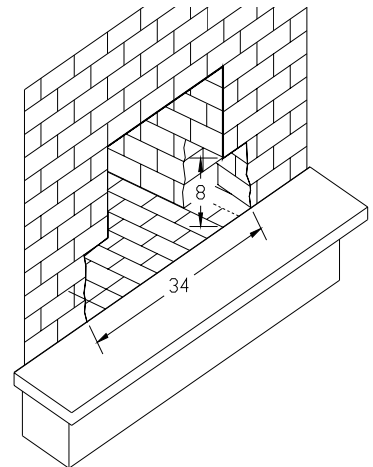
1- FLANGE PLATE SUPPORT INSTALLATION

1.1 Rear support installation.

- a) Cut the rear and side supports at the proper length. The supports can overlap at the rear.
- b) Make two marks on the back wall of the fireplace, 2 inches below the top of the fireplace door.
- a) Align the top of the rear support with the marks (flange of the support up) and transfer the holes to the fireplace wall.
- b) Remove the support and drill two holes 3/16 in diameter and 1 1/2 in deep.
- c) Fasten the rear support.

1.2 Side support installation.

- a) Place one end of the side support under the rear support assuring that the other end is at the same level with the top of the fireplace door.
- b) Transfer the holes on the fireplace side wall. Repeat steps c, d and e. Install the other side support in the same manner. Inspect for cracks between the fireplace walls and the supports. Seal if necessary with stove cement or silicone.



with stove cement or silicone.
FIGURE 4

Note:
 The fireplace must be at least 34 in wide at the bottom, where the blowers are located.
 In case the width of the fire place is less than 34 in, enlarge the width as indicated in **FIGURE 4**

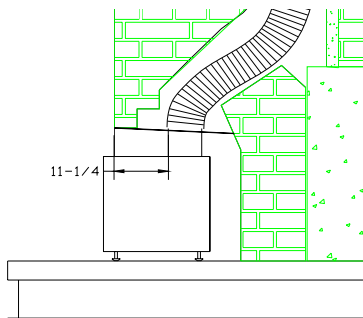


FIGURE 5

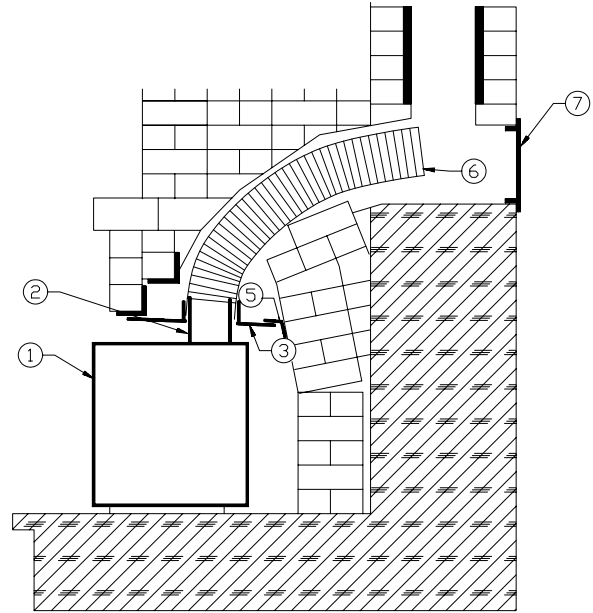
The distance between the face of the fireplace and the beginning of the flue pipe, must be 11 1/4 in.

2. FLANGE PLATE INSTALLATION

- a) Cut plate to the proper size.
- b) Install flexible pipe as shown in FIGURE 4.
- c) Insert flexible pipe at the collar of the flange plate.
- d) Screw the flange plate on the support frame.

3. FIREBOX INSTALLATION

- a) Insert the flue pipe in the flange plate.
- b) Slide the firebox in the fireplace.
- c) Align flue pipe with the flue of the firebox. Connect flue pipe with the firebox.
- d) Install front panel.



OPERATING INSTRUCTIONS

WOOD

The VOLCANO fireplace insert is designed to burn good quality dry cordwood. Optimum log length is 18 in. and preferably split in half or quarters. Excessive moisture content in firewood causes excessive creosote deposits in the chimney, which could lead to a chimney fire. Cordwood should be split and left to dry for 1 year prior to use.

Use only good quality dry cordwood. DO NOT burn coal, construction lumber, plastics, garbage or other foreign materials in your space heater.

Never use gasoline, gasoline type lantern fuel, kerosene, charcoal lighter fluid, or similar fluids to start or «freshen up» a fire in this stove. Keep all such liquids well away from the stove while it is in use.

CREOSOTE FORMATION AND THE NEED FOR REMOVAL

When wood is burned slowly, it produces tar and other organic vapors which combine with expelled moisture to form creosote. The creosote vapors condense in the relatively cool chimney flue of a slow burning fire. As a result, creosote residue accumulates on the flue lining. When ignited, this creosote makes an extremely hot fire.

BUILDING THE FIRE

Build the fire directly onto the hearth. Do not use grates to raise the fire.

Roll up newspaper pages and place them on the hearth to form a suitable ignition layer. Add kindling or thin section of split cordwood (3/4" or less) over the newspaper, to form a second layer.

Add 2 or 3 larger pieces of wood over the second layer, to form the final layer.

Turn the damper control to open position.
Light the fire and close the doors.

WARNING: Do not overfire the unit, as this will result in overheats, may damage the fireplace or/and result in fire hazard. The maximum firewood load must not exceed 4 medium size logs (about 30 pounds).

Add wood as required, to maintain the desired heat output.

After the fire is established, the burning rate may be controlled by either opening or closing the draft control. Opening the draft control will cause the fire to burn more rapidly. Closing the draft control will cause the fire to burn more slowly.

FIGURE 6 shows the draft control in the open position.

DISPOSAL OF ASHES

Ashes should be placed in a metal container with a tight fitting lid, taken outside and placed on the ground, well away from all combustible materials, pending final disposal. If the ashes are disposed of by burial in soil or otherwise locally dispensed, they should be retained in the closed container until all cinders have thoroughly cooled.

CHIMNEY FIRES

If you have a chimney fire, follow these steps:

- 1) Close the door of your fireplace
- 2) Close the damper
- 3) If you require assistance, call your fire department
- 4) Use a dry chemical fire extinguisher, baking soda or sand to control the fire.

DO NOT USE WATER to extinguish the fire. It may cause a dangerous steam explosion.

DO NOT USE YOUR FIREPLACE again until the chimney has been inspected by a qualified chimney sweeper or the fire department.

FRESH AIR

Adequate replacement air is necessary for proper fireplace operation. Air is required for combustion and to maintain the necessary draft.

If the house is airtight, combustion equipment may not function properly. If the combustion equipment, which includes the fireplace, is starved of the air necessary to function, it will be necessary to provide a source of fresh air into the dwelling. This may be done using heat exchanger units or simply by opening a window slightly.

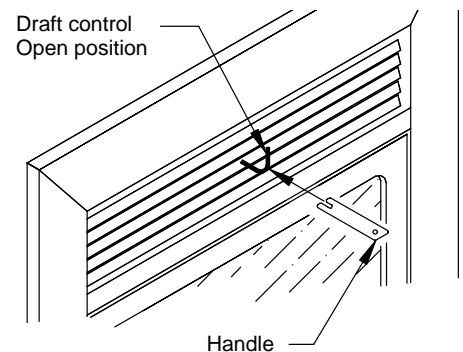


FIGURE 6
Draft control

Caution:
The draft control is hot when the fireplace is on.
Always use the supplied handle to open and close it.

GLASS DOOR

The glass door of your VOLCANO must be treated with care, do not slam the doors shut or build the fire to close to the glass. Do not overfire. Excessive temperatures or impacts may lead to breakage.

The glass panel of your VOLCANO are cut from heat-resistant ceramic type «ROBAX» glass, 5 mm (nominal) thick. The panels are factory-cut and edge polished to remove residual microcracks.

If your glass door crack or brake replace the panel immediately. Do not use the VOLCANO with cracked or broken glass door, overheats and a fire hazard will result.

To repair a broken glass door, follow the steps indicated below; use only ceramic glass with minimum thickness 5mm.

1. Order a pre-cut replacement panel from your dealer. Do not use substitute materials.
1. Remove the four screws from the side of the door and removed inside frame.
2. Remove the broken pieces from the door frame using pliers. Watch for cuts. Clean the frame carefully to insure that it is free of small fragments.
3. Place the glass in the glass support of the inner door frame.
4. Press together the door panels.
5. Fasten the four screws in the side of the door.

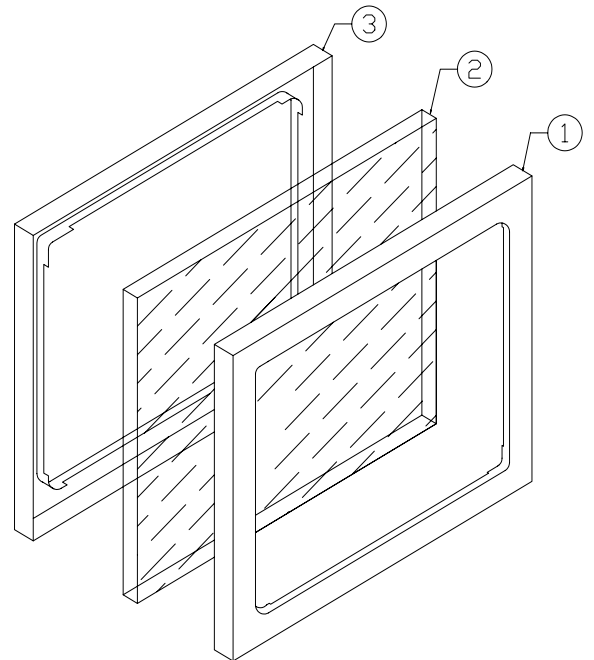


FIGURE 7
Door Assembly

GLASS CLEANING

The glass door should be cleaned with a soft cloth, using a non-abrasive solution such as soap and water, if necessary.

Abrasive cleaners will produce surface scratches, reduce panel transparency and resistance to impacts. Commercial glass cleaners such as KEL KEM will produce better results.

The glass should be cleaned when the fireplace is not in use. Do not clean glass when it is hot

1. Outer door frame
2. Glass Pyroceram 15 X 21 5/8
3. Inner door frame

BLOWERS

The VOLCANO fireplace insert is equipped with tow factory installed blowers thermostatically controlled.

Plug the power cord into the nearest 115 Volts outlet.