

SUPREME

WOODBURNING FIREPLACES



The Volcano Plus fireplace insert is shown in metallic black with diamond pattern grills.



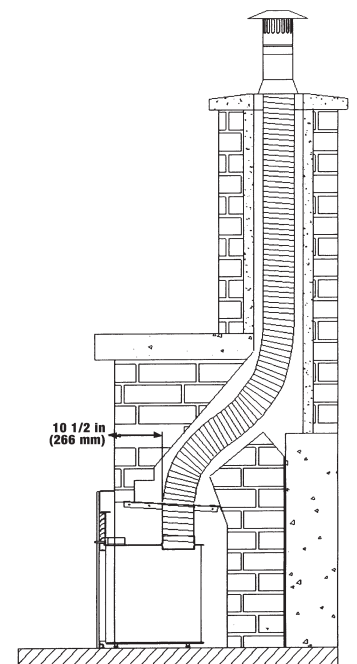
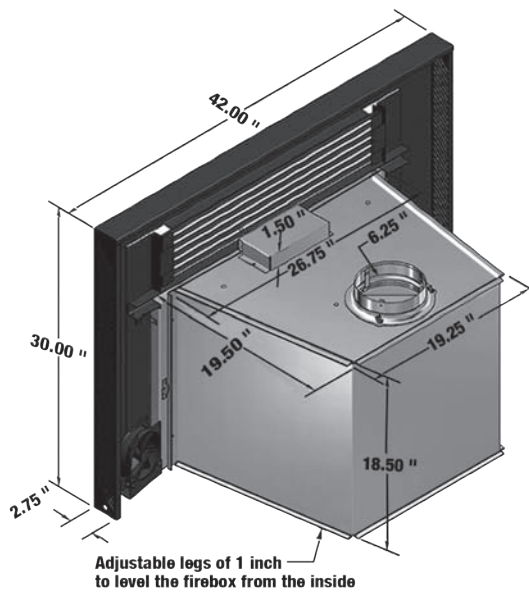
VOLCANO PLUS

The Volcano Plus fireplace insert is shown in charcoal with arched diamond pattern surround.

SPECIFICATIONS

Heating Capacity:	2,000 square feet
Size of Firebox:	3.0 cubic feet
Weight:	175 pounds
Tested & Approved:	EPA 28 & 5G, ULC S628, and UL 1482-1996
Emissions:	4.3 g/hour
Burn Rate:	0.97 kg/hour
Log Size:	18 inches (maximum)
Patent No:	US 7,325,541 B2
EPA Certification #:	657

DIMENSIONS



MINIMUM OPENING REQUIRED

Depth: 20"

Width: 32"

Height: 23"



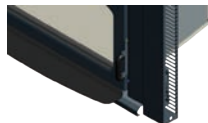
The Volcano Plus fireplace insert is shown in metallic black with classic louvers.

EXCLUSIVE FEATURES



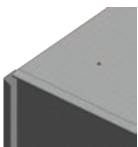
UNIQUE DOOR OPERATION

This ergonomic design is durable, user-friendly and allows the doors on each side of the fireplace to remain hermetically shut by means of a latch for a secure operation.



REMOVABLE ASH LIP

Clean and convenient – this removable accessory prevents the ashes from falling on the hearth.



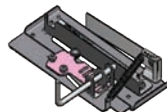
STAINLESS STEEL FIREBOX

Supreme has been building stainless steel fireboxes for over two decades because of its many benefits: quicker heat transfer, more durability and less maintenance.



CHIMNEY SWEEPING CAP

This unique feature allows for easy access when cleaning the chimney without having to remove any components of the fireplace.



PATENTED AUTOMATIC AIR CONTROL

This innovative mechanism provides automatic means to gradually reduce the combustion air to the user's preset setting. Patent No: US 7,325,541 B2



BLOWERS (125 CFM EACH)

The Volcano Plus comes equipped with two heat-activated blowers and a variable speed control that promotes the distribution of warm air into the room.

A wood burning fireplace is the centre of your home; an open invitation to come and gather and an irresistible enticement to stay, a hub where dreams are fashioned, where relationships blossom, and where memories are forged. Your wood burning fireplace charms all your senses, offers calm and serenity as it shuts out the hustle and bustle of everyday life.

Supreme, your provider of warmth, elegance, and reliability for over 30 years, is a convivial family owned business dedicated to its environmental responsibility, its customers, and its full line of products.

Our commitment to the environment is broad and all inclusive. It begins in our plant where, in accordance with our environmental policies and whenever it is possible, we choose materials and practices which are not harmful to the environment, and produce the highest quality EPA approved fireplaces and inserts, burning cleaner and producing far fewer emissions than ever before.

We are also dedicated to offering our customers a wonderful and seamless experience. We sell warmth, comfort and peace of mind, and fully propose the same kind of customer support through uncompromising quality, warm sophistication, and lifetime dependability. With this combined level of individual consideration and commitment we can guarantee that you will be and remain completely satisfied.

Our award winning products are of the highest quality, incorporate the most innovative designs and technologies, are guaranteed to be extremely user friendly and are backed by one of the best warranties in the business. Their sophisticated timeless beauty will delight you for years to come.

Join us, escape to your home, pause quietly by your hearth,
*"Dreaming the dreams of the most fortunate,
Warm and toasty...."* (Frances W Carlin, 2009)©

**SUPREME**

1-877-593-4722
info@supremem.com
www.supremem.com

Printed in Canada using recycled paper



Your dealer

