

LUMIS 32

FIREPLACE INSERT



suprme

LUMIS 32

FIREPLACE INSERT



HEAT CAPACITY

Up to 2,000 sq.ft.



HEATING TIME

6 to 12 hours



FIREBOX SIZE

3.2 cu ft



GLASS DIMENSIONS

22 7/8" x 15 3/8"



MAX. HEAT OUTPUT

100,000 BTUs



LOG SIZE

Up to 22"
Recommended 18"



EMISSIONS

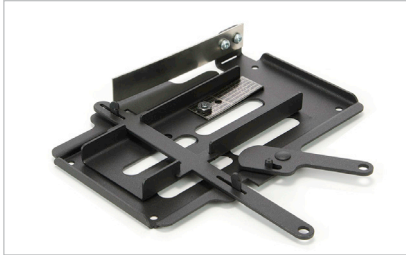
1.59 g/hr
EPA 2020 Certified



CHIMNEY

6 inch

EXCLUSIVE FEATURES



Patented Automatic Air Control

This patented, user-friendly mechanism automatically reduces the amount of combustion air introduced during ignition to the desired burn rate setting. The result is a beautifully consistent fire burning to its full capacity.



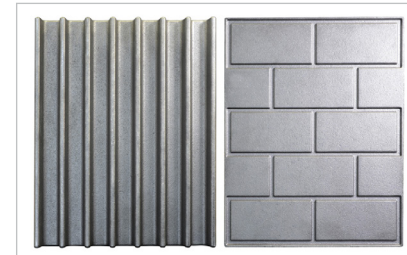
Faceplate Overlay

A 12 gauge thick faceplate is offered optionally to aesthetically conceal the opening between the existing masonry fireplace and the surround of the unit. It can easily be trimmed all depending on the installation and the dimensions.



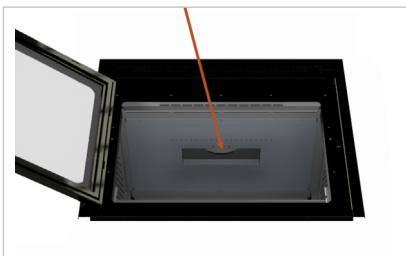
Dual Blowers System (110 CFM)

Pre-assembled on the circulating chamber, the blowers help circulate the warm air into the room. As the combustion progresses, the blowers automatically activate with the heat and can be set using the variable speed control.



Reversible Cast-Iron Panels

Crafted with care, our heavy-duty cast iron panels are stamped with a brick pattern on one side and a flowing contemporary design on the other. These reversible panels provide a versatile design that is as beautiful as it is functional.



Chimney Sweeping Cap

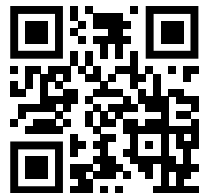
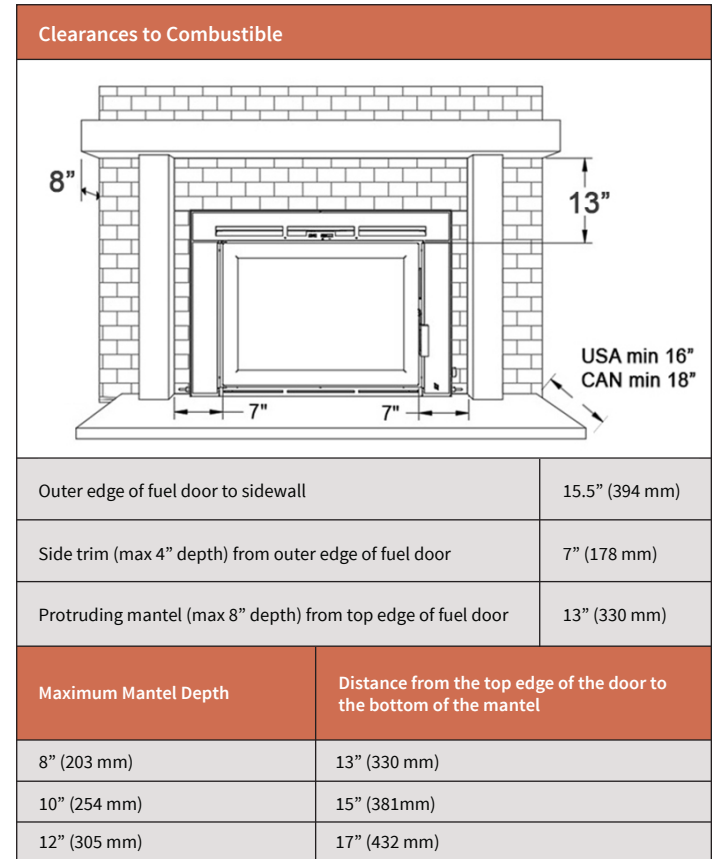
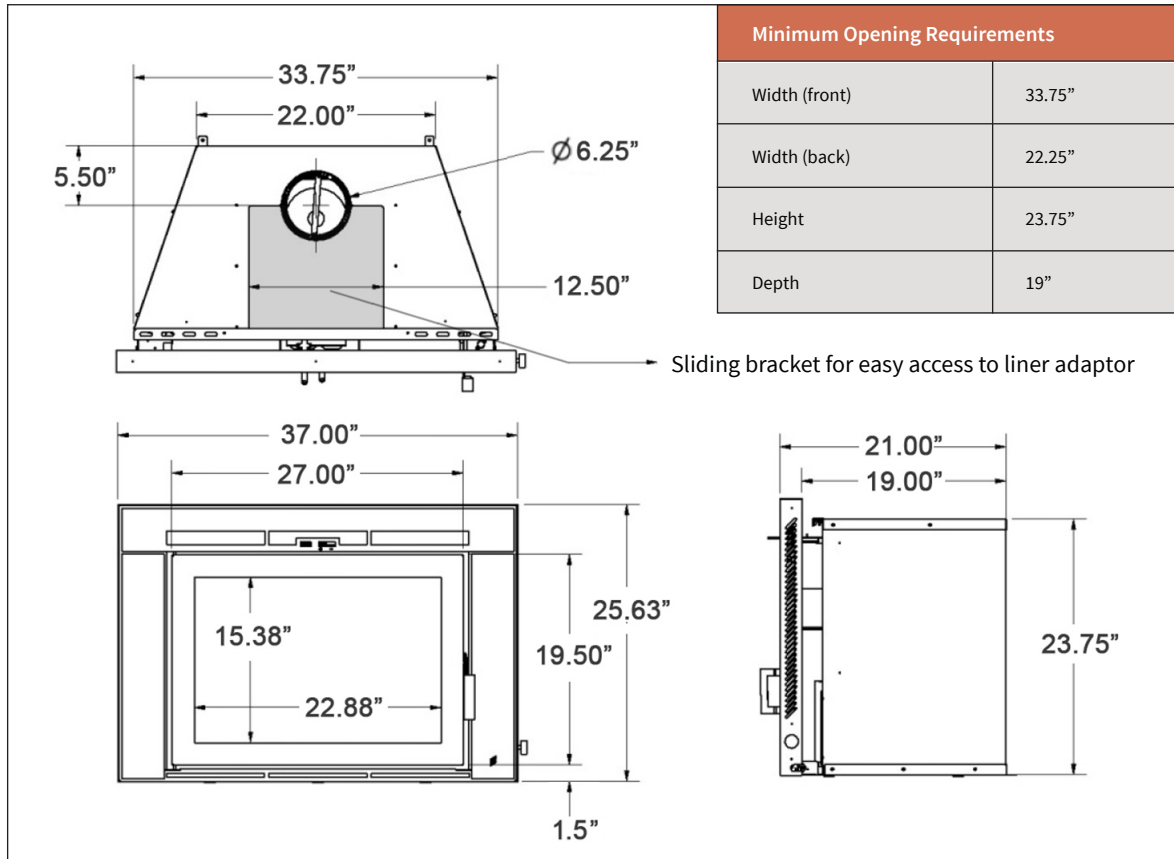
Located on the baffle, this convenient feature allows the chimney to be easily accessed for cleaning, without requiring the removal of any components.



Innovative Baffle Design

Our products have a unique design that allows secondary air to enter through a perforated baffle offering an unimpeded viewing area to the fire all while increasing the efficiency and prolonging the combustion.

DIMENSIONS



3594 Jarry East, Montreal, Quebec H1Z 2G4

Telephone: 514 593.4722 Toll-free: 1 877 593.4722 Fax: 514 593.4424

www.supremem.com | info@supremem.com

Note:

Information and images contained in this catalog are subject to change and should be used for reference only. All installations should be done in accordance to the specifications detailed in the owner's manual.